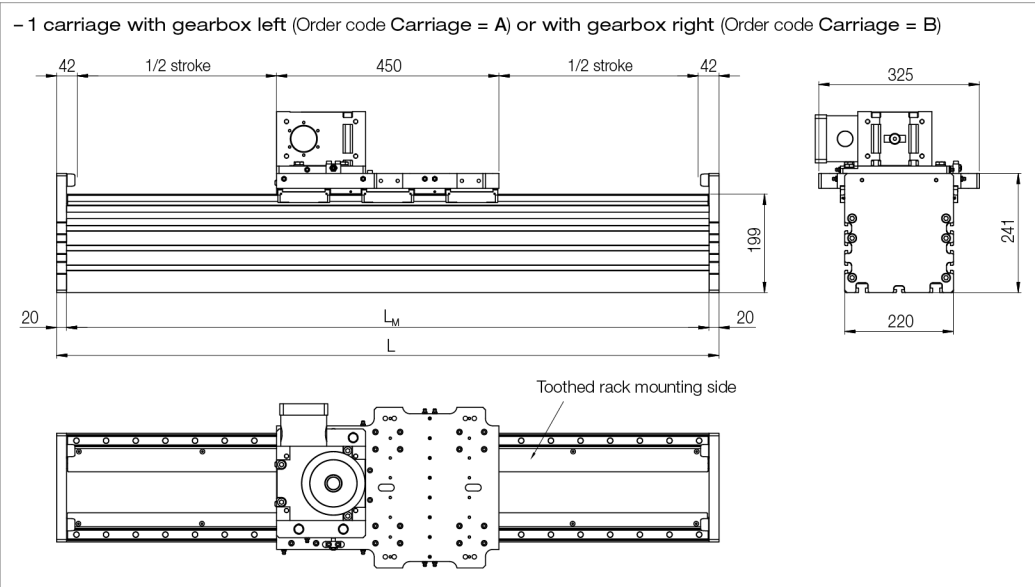


Dynamic module DM3...ZS... with rack and pinion drive



Nominal size	Dimensions			Weight (excluding gearbox) [kg]
Designation	L [mm]	L _M [mm]		
DM3.ZS...A/B...	Stroke + 534	L - 40		55.6 kg + 5.0 kg/100 mm Stroke

DM	Rack and pinion drive	Axial load rating	Positioning accuracy	Repeating accuracy	Acceleration
Size	Stroke/R [mm]	F [N]	[μ/mm]	.../1000 mm [mm]	a _{max} [m/s ²]
DM3.ZS...	160.001 (50.93 x π) ¹⁾	37/1000 ²⁾	± 0.02 ²⁾	50 ³⁾

¹⁾ Depends on speed and load

²⁾ Without considering backlash and load

³⁾ Maximum possible value; precise value for your specific application to be determined with our technical sales department

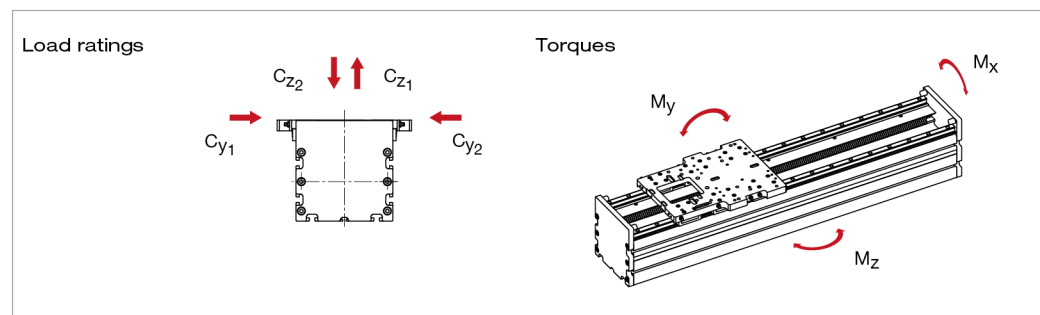
DM	Travel speed		Area moment of inertia		Stroke max.	Feed and friction force	Mass/carriage transported (without gearbox)
Type	Guide v _{max} [m/min]	Drive v _{max} [m/min]	I _y [cm ⁴]	I _z [cm ⁴]	[mm]	F _v [N]	m _b [kg]
DM3.ZS...	360 ⁶⁾	4 ⁴⁾	4352	8260	5450 (1 carriage) ⁵⁾ 5000 (2 carriages) ⁵⁾	60 ⁷⁾	16.0

⁴⁾ Depends on load and gear ratio

⁵⁾ Longer strokes on request

⁶⁾ Higher speeds on request

⁷⁾ Without idling-torque gearbox; this is dependent on the gear ratio



Dynamic module	Maximum permissible forces [kN]				Maximum permissible torques [Nm]					
	static		dynamic		static			dynamic		
	C _{y0,1,2}	C _{z0,1,2}	C _{y1,2,50}	C _{z1,2,50}	M _{x0}	M _{y0}	M _{z0}	M _{x50}	M _{y50}	M _{z50}
DM3.ZS...	311.5	311.5	208.8	208.8	29600	35950	35950	19840	24470	24470