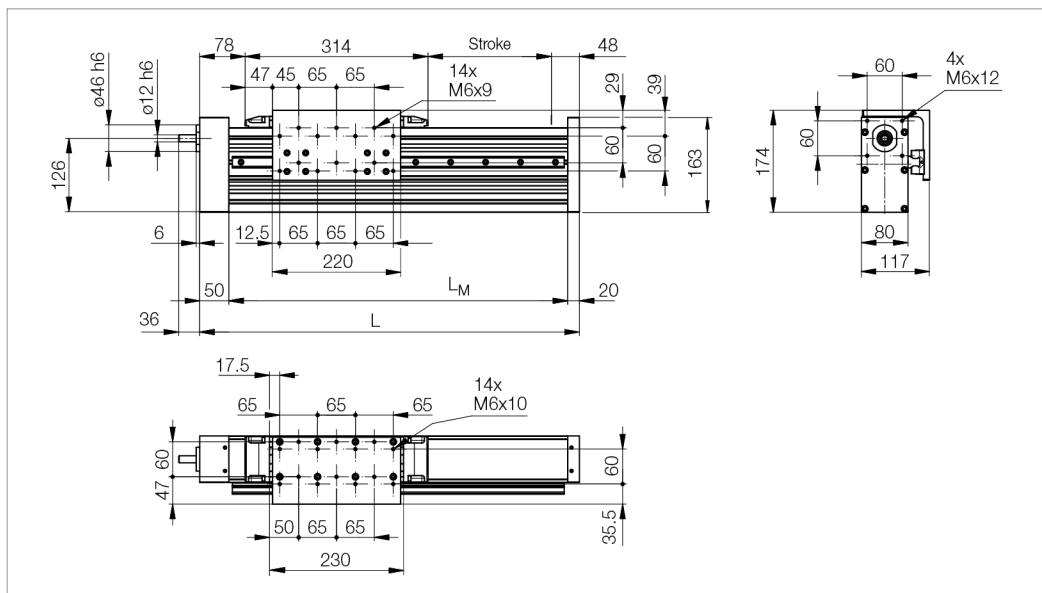


Bridge module BM4...BR...L/R with ball screw drive and lateral support rail left/right

BM Size	BSD d x p	Axial load rates		Positioning accuracy	Repeating accuracy	Acceleration a_{max}	Axial play		Idle torque
		C_0	C_{dyn}				Type	Axial play	

d x p = screw diameter x thread pitch
 1) backlash not factored in

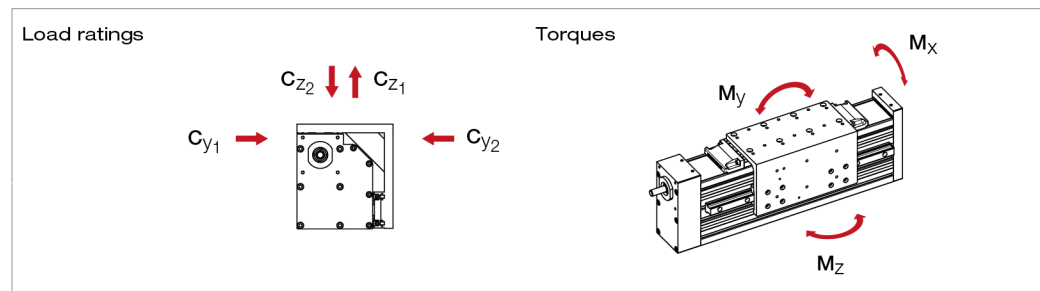
A = axial play
 R = reduced play
 V = preloaded



Nominal size	Dimensions				
Designation	L [mm]	L_M [mm]	Length ball screw [mm]	Length steel strip [mm]	Weight [kg]
BM4...BR...L/R	Stroke + 440	L - 70	L + 30	L - 36	14.00 kg + 1.80 kg/100 mm Stroke

BM Type	Movement speed		Moments of inertia		Stroke max. [mm]	Steel strip	Feed and friction force F_V [N]	Moved mass m_b [kg]
	Guide v_{max} [m/s]	Drive v_{max} [m/s]	I_y [cm ⁴]	I_z [cm ⁴]				
BM4...R...L/R	5.0	2)	721	401	3000	without with	50.00 60.00	4.390

2) for ball screw drive, dependent on rotational speed characteristics, spindle length and relevant critical rotational speed.



Bridge module Type	Maximum permissible load [kN]				Maximum permissible torque [Nm]					
	static $C_{y0,1,2}$	static $C_{z0,1,2}$	dynamic $C_{y1,2}$	dynamic $C_{z1,2}$	static M_{x0}	static M_{y0}	static M_{z0}	dynamic M_x	dynamic M_y	dynamic M_z
BM4...R...L/R	119.9	119.9	68.4	68.4	3030	3395	3395	1868	3056	3056

The determination of dynamic load ratings and torques is based on a 50,000 m stroke. If comparative values must be calculated for a 100,000 m stroke, the values for M_x , M_y , M_z and C must be divided by the factor 1.26.

With a view to serviceable life, loads of less than 20% of the dynamic load ratings have generally proved to be expedient.

CAD data

Enquiry (technical/quote)

Download data sheet (PDF)

Download catalogue (PDF)