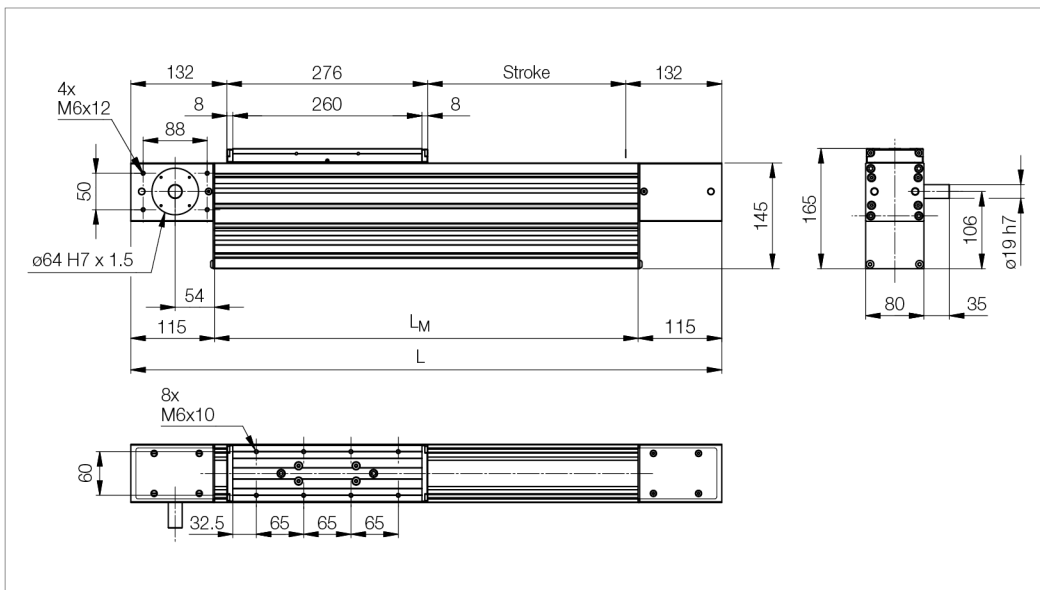


≡ Bridge module BM4...NZ...N XL with toothed belt drive



Nominal size	Dimensions			
Designation	L [mm]	L _M [mm]	Belt length [mm]	Weight [kg]
BM4...NZ...N	Stroke + 540	L - 230	2 x Stroke + 900	9.70 kg + 1.36 kg/100 mm Stroke

Variants/dimensions with protective strip (BM4...BZ...N) see catalogue

XL Please contact LINE TECH for Consulting & Engineering →

Enquiry (technical/quote)

BM	Toothed belt drive				Axial load F [N]	Positioning accuracy [μ/mm]	Repeating accuracy .../1000 mm [mm]	Acceleration a _{max} [m/s ²]
	Type/division	Pinion d ₃ x l _p [mm]	Stroke/rev [mm]	Tension ³⁾ [mm/m]				
BM4...Z...	HTD5M	65.25 x 45	205	0.105	... ¹⁾	200/1000 ²⁾	< 0.20 ²⁾	50.0 ¹⁾

d₃ x l_p = pinion diameter x pinion width

¹⁾ depending on speed and load

²⁾ backlash not factored in

³⁾ belt tension/metre [mm/m] per 100 N tensile force

BM	Movement speed		Moments of inertia		Stroke max. [mm]	Steel strip	Feed and friction force F _V [N]	Moved mass m _b [kg]
	Guide v _{max} [m/s]	Drive v _{max} [m/s]	I _y [cm ⁴]	I _z [cm ⁴]				
BM4...Z...N	5.0	⁴⁾	708	332	XL: 12 480	without with	25.00 35.00	2.150 2.170

⁴⁾ for toothed belt drive, dependent on load and speed and permissible movement speed of the linear guide

Bridge module Type	Maximum permissible load [kN]				Maximum permissible torque [Nm]					
	static		dynamic		static			dynamic		
	C _{y0,1,2}	C _{Z0,1,2}	C _{y1,2}	C _{Z1,2}	M _{X0}	M _{Y0}	M _{Z0}	M _X	M _Y	M _Z
BM4...Z...N	59.9	59.9	34.2	34.2	646	1573	1573	400	1446	1446

The determination of dynamic load ratings and torques is based on a 50,000 m stroke. If comparative values must be calculated for a 100,000 m stroke, the values for M_x, M_y, M_z and C must be divided by the factor 1.26.

With a view to serviceable life, loads of less than 20% of the dynamic load ratings have generally proved to be expedient.

Download data sheet (PDF)

Download catalogue (PDF)